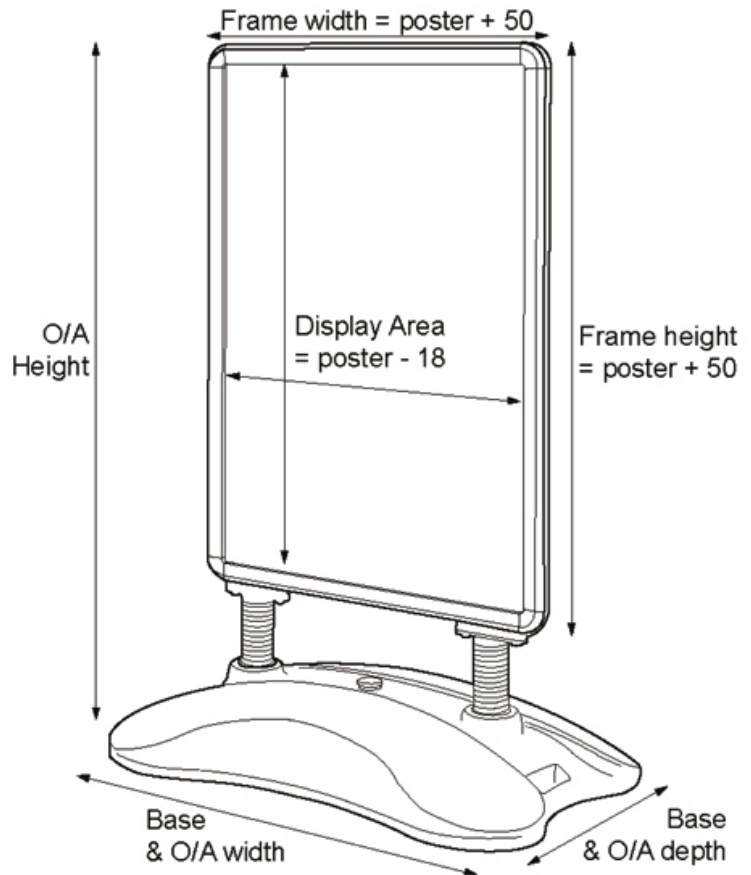


Sightmaster



Specifications

- Attractive styling and excellent quality
 - Silver anodised frame with round corners
 - Double-sided snapframes for quick and easy poster change
 - Rigid 'kick proof' back panel
 - Anti-glare PET poster covers
 - Grey water-fillable base with in-built wheels and carry handle
 - Fully recyclable aluminium frames, PET poster covers, steel brackets and HDPE base.
- Mechanical fixings have been used throughout for easy 'end of life' recycling.

Stock Options

Poster Size	Display Area (mm)	O/A Dimensions (w x h x d mm)	Weight (Kgs) Full / Empty	Frame Size (mm) (Poster + 50mm)	Base Dimensions (mm)
A1	578 x 823	800 x 1193 x 505	37/18	646 x 891	800 x 505 (300mm from ground to underside of frame)
A0	823 x 1171	960 x 1559 x 610	76/23	891 x 1239	960 x 610 (320mm from ground to underside of frame)
30" x 40"	744 x 998	960 x 1386 x 610	76/23	812 x 1066	