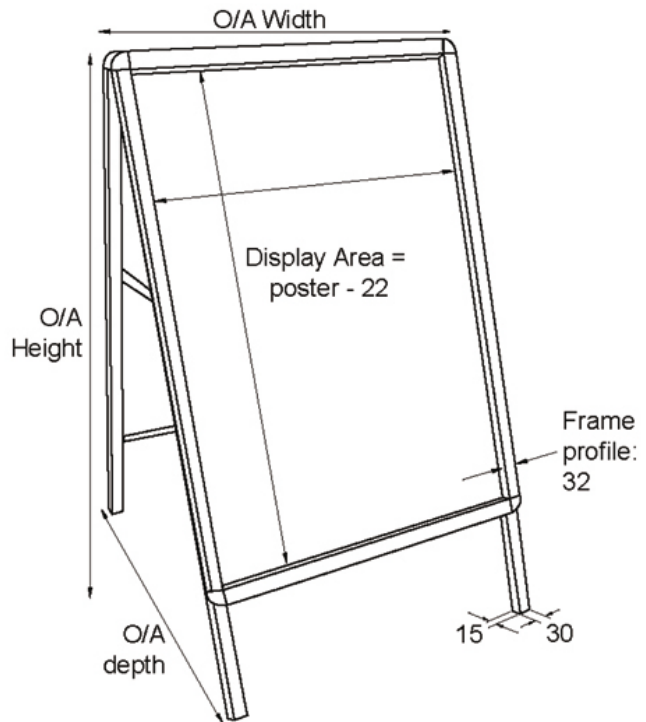


# A Master



## Specifications

- Double-sided poster display
- Front opening, silver anodised 32mm snapframes with round corners for safety
- Anti-glare poster covers
- Galvanised steel back panels and hinged locking arms for optimum weight and stability
- Frame and legs available in any RAL colour (minimum order quantity: 50)
- Lightweight 'fold-flat' design – easy to move and store
- NEW – stylish black powder coated frame with matching corner mouldings in various stock sizes (see below)
- Aluminium snapframes, steel sub-frames, galvanised steel back panels and PVC poster cover sheets are all recyclable.

## Standard Options – A-Master with silver anodised frame

Poster Size	Display Area (mm)	O/A Dimensions (w x h x d mm)	Leg Length* (mm)	Approx. Weight (kg)
A2	398 x 572	463 x 910 x 700	950	6.2
A1	572 x 818	637 x 1100 x 800	1150	9
A0	818 x 1166	884 x 1400 x 910	1450	17
20" x 30"	486 x 740	551 x 910 x 700	950	7.8
500 x 700mm	478 x 678	543 x 910 x 700	950	9
700 x 1000mm	678 x 978	743 x 1200 x 850	1250	13.3
30" x 40"	740 x 994	805 x 1200 x 850	1250	14

## Stock Options – A-Master with black frame

Poster Size	Display Area (mm)	O/A Dimensions (w x h x d mm)	Leg Length* (mm)	Approx. Weight (kg)
A2	398 x 572	463 x 910 x 700	950	6.2
A1	572 x 818	637 x 1100 x 800	1150	9
20" x 30"	486 x 740	551 x 910 x 700	950	7.8

\*Leg profile: 30 x 15mm